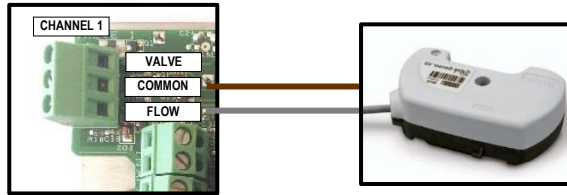


Water meter only wiring connections....

Connect the meter to CHANNEL 1 on the Series 7 controller: Connect the water meter's pulse sensor. Connect **brown** wire to COMMON and white wire to Flow.



For WAT03 two metered installations follow these instructions with the external meter to CHANNEL 2 on the Series 7 controller.

Success?

Press the OK button, power is indicated by the home page screen, from there press the right arrow and check that the power source is MAINS and not BATTERY. Check wiring connections if BATTERY is the power source.

Setup....

The Series 7 control panel is equipped with an audit function which will monitor normal water usage for 7 days. It is recommended that after initial installation an audit is ran before inputting maximum water usage limits. Press OK to open the Home Screen, from there press the right arrow twice to enter the Audit page, start audit. Once the audit is complete, use the Waterguard Series 7 Initial Set Up and Operating Guide to input limits based around 10% above audit levels.

It is important to run an audit each time there are significant changes to the operation of the building which will affect water usage, for example after handover when a building becomes occupied by the client.

Test....

To test electrical connections to the Series 7;

1. Press OK to bring up the home screen, from here, navigate the cursor down to CHANNEL and press the OK button to change the state to CLOSED and check for running water. Once checked then change the state of the channel back to OK.
2. Check meter reading; run some water and from the home screen press the right arrow to check the meter readings on the Mode page has increased.

Please check wiring connections if unsuccessful with either.

Technical Support....

Technical support and further product information is available during office hours. Please check all electrical connections before contacting us. Please call 01226 397987 to speak with one of our technical experts, ensure to have your order details ready so we can handle your query as efficiently as possible.

Waterguard



Water Leak Detection Equipment Including BREEAM and SKA Requirements

Waterguard Series 7 V17X Electrical Installation Guide V19



IMPORTANT! CURRENT IEE REGULATIONS: THE SERIES 7 SHOULD BE INSTALLED BY A QUALIFIED ELECTRICIAN, IN ACCORDANCE WITH THE RECOMMENDATIONS LAID DOWN BY THE HVCA AND SOUND ENGINEERING PRACTICE. A COMPETENT PLUMBER MUST CARRY OUT THE ASSEMBLY AND INSTALLATION OF ANY WATER METERS AND VALVES. ANY DAMAGES INCURRED DUE TO IMPROPER INSTALLATION ARE NOT COVERED UNDER WARRANTY.

IMPORTANT: PLEASE READ THIS GUIDE CAREFULLY AND IN FULL BEFORE INSTALLING. **KEEP CLEAN:** DO NOT LET DEBRIS ENTER THE WATER METER(S) OR VALVE(S). **STORAGE:** KEEP IN A DRY PLACE PRIOR TO INSTALLATION TO AVOID POSSIBLE DAMAGE TO INTERNAL COMPONENTS.

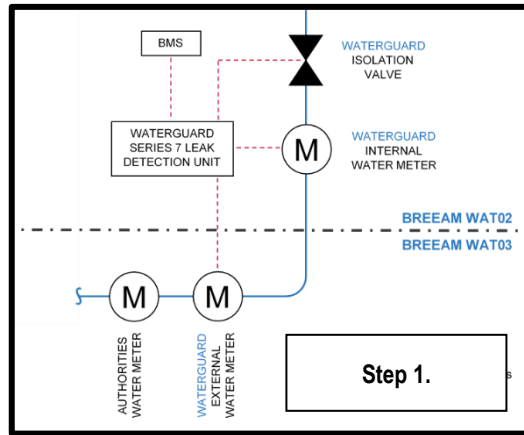
What you will have:

- 1 x Series 7 – 12V 240V
- Water meter(s): _____
- Valve(s): _____

What you will need:

Screened 2 and 3 core 1.00mm² copper cable.
For longer runs, use a larger core size.

* No fittings are supplied for the installation of plumbing components.



Step 1.

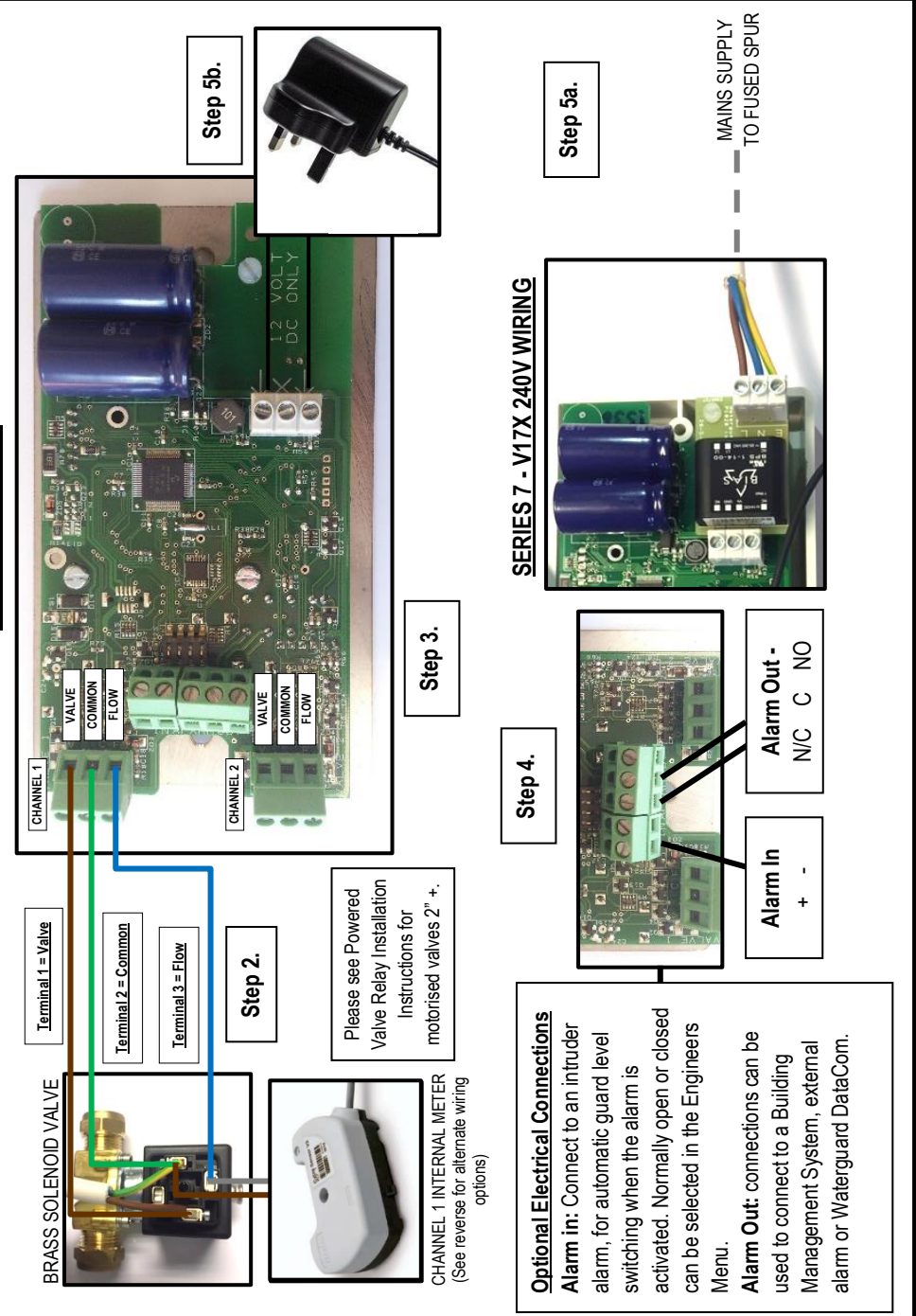
Step by Step Installation....

1. Plumb in the water meter(s) and solenoid valve(s), (where applicable). Use the meter and valve schematic above as to where to install.
2. Connect the meter and valve to CHANNEL 1 on the Series 7 controller (FOR WATER MONITORING SYSTEMS WITHOUT A VALVE SEE THE REVERSE OF THIS SHEET FOR WATER METER ONLY WIRING CONNECTIONS AND THEN CONTINUE WITH STEP 4):
 - a. Connect the water meter's pulse sensor. Connect **brown** wire to TERMINAL 2 and the white wire to TERMINAL 3 on the solenoid valve. The pulse sensors are prewired with a 1.5m cable but can be extended using a screened 2 core cable - 1.0mm² up to 100m and 1.5mm² up to 150m.
 - b. Connect valve using a screened 3 core 1.00mm² copper cable. **Brown** wire from TERMINAL 1 to VALVE, **green** wire from TERMINAL 2 to COMMON and **blue** wire from TERMINAL 3 to FLOW. If installing a 2" solenoid, please use separate flow adjustment instructions.
3. For WAT03 two metered installations follow instructions from step 2 to CHANNEL 2 on the Series 7 controller. If the external meter does not have a valve see the reverse of this sheet for water meter only wiring connections.
4. Connect alarm in and alarm out where applicable using shielded 2 core 1.00mm² copper cable.
 - Alarm In: Connect to + and – using 2 core screened cable.
 - Alarm Out: Wire to N/C and C using 2 core screened cable. The controller is pre-set to activate the alarm out when a leak is detected, other options are available in the engineer's menu.
5. Power the controller:
 - a. 240V: 3 core cable to a fused spur.
 - b. 12V: Wire power adapter to Series 7.

Ensure to see the reverse to test installation and set up the Series 7 controller.

Wiring Diagram....

SERIES 7 - V17X 12V



Step 5b.

Step 5a.

SERIES 7 - V17X 240V WIRING

Step 3.

Step 4.

Please see Powered Valve Relay Installation instructions for motorised valves 2" +.

Optional Electrical Connections
Alarm In: Connect to an intruder alarm, for automatic guard level switching when the alarm is activated. Normally open or closed can be selected in the Engineers Menu.
Alarm Out: connections can be used to connect to a Building Management System, external alarm or Waterguard DataCom.