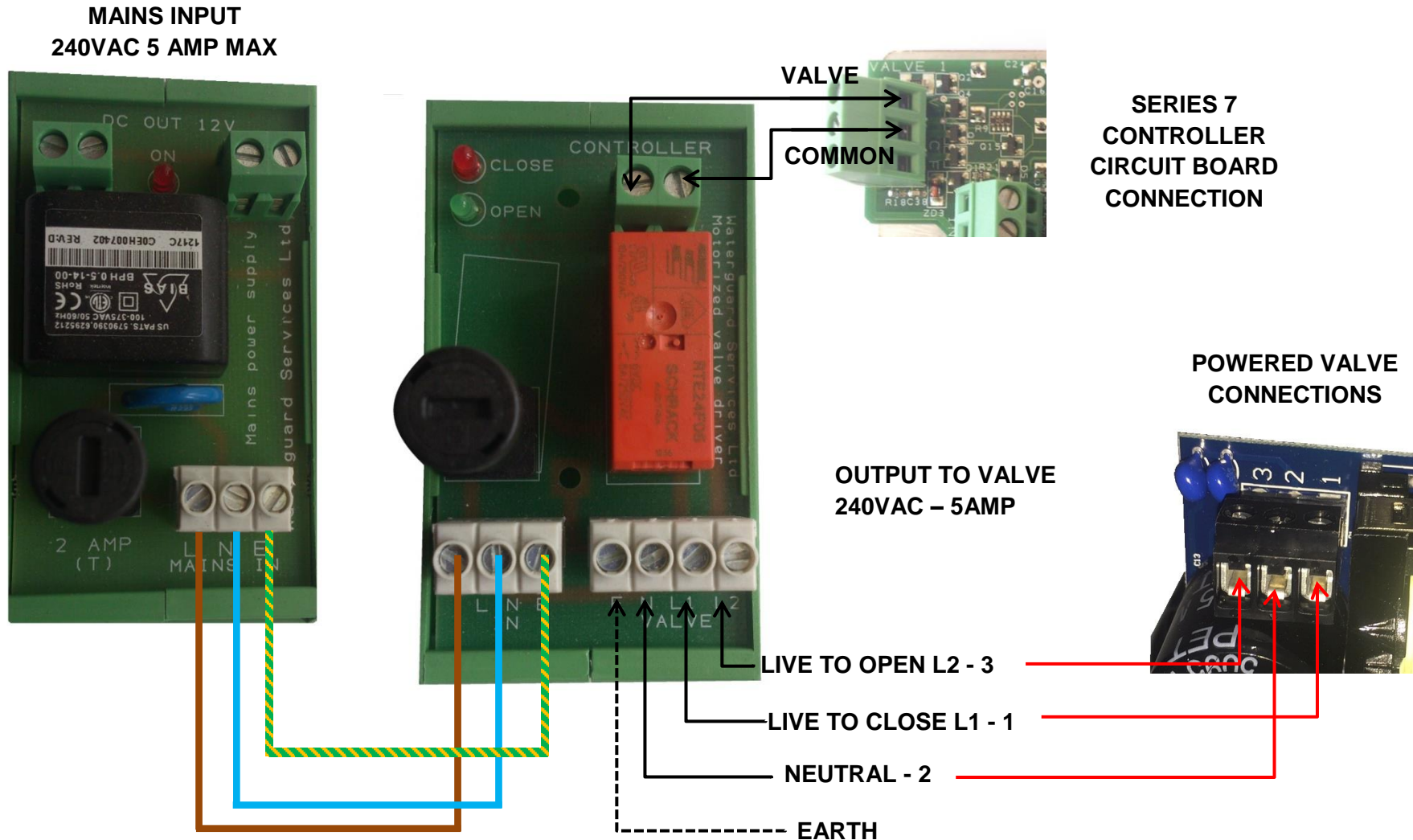


POWERED VALVE RELAY - TECHNICAL INFORMATION & INSTALLATION INSTRUCTIONS

Waterguard

DIN rail application includes the Waterguard Power Valve Relay, for driving motorised valves with 12; 24; 110 and 230 volt motors.



These instructions should be used in conjunction with the Waterguard Series 7 Installation Guide.