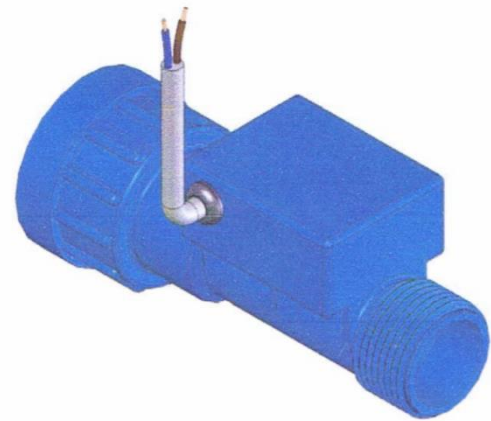


Waterguard

TECHNICAL SPECIFICATION: WATERGUARD FLOW SENSOR

Part of the Waterguard Home and Solo Range

These sensors are made from rugged high grade noryl including a minimum pressure drop, operating from a small head of water with vertical mount +/-15.



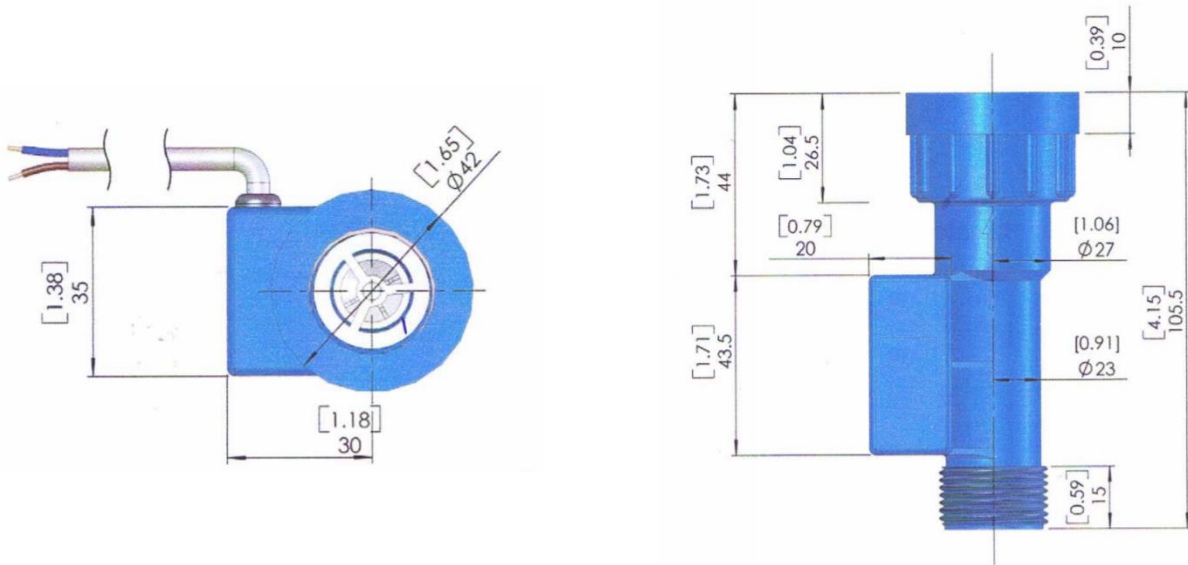
TECHNICAL DATA

Flow Sensor – WRAS Cert No. 1510025

Material		Mechanical Specifications	
Housing Material	Noryl	Shock	50g for 11mS duration
Shuttle Material	Noryl	Vibration	35g up to 500Hz
Contact Material	Ruthenium	Maximum Pressure	10 bar @ 20
Operating Temperature	-30 to 85 degrees C	IP	IP65
Medium	Water	Horizontal flow rate l/min	2.24 +
Housing Colour 3/4"	Blue	Vertical (flow up) flow rate l/min	2.50 +
Housing Colour 1 1/4"	Black	Vertical (flow down) flow rate l/min	1.79 +
		FLOW RATE DEPENDENT ON INDIVIDUAL WATER PRESSURE	
Switching		Cable & Mounting	
Switch Action (Reed Switch)	SPST	Cable Length	1 x 1.0M double insulated
Max Switch Voltage VDC	200	Connection Type	Stripped cables
Max Switch Voltage VAC	250	Cable Type	0.5MM2 BS6500 PVC
Max Switching Current Amps	1	Cable Colour	Grey outer blue/brown inner
Max Switching Load Watt	40	Fitting	3/4" BSP male and female threads
Reed Switch Reliability	UL File E153493	Fitment	In line
Operate Mode	N/O, close with flow	Mounting	Vertical, flow downwards
Contact Form	A		

Waterguard

Technical Drawings



Waterguard

Waterguard Services Limited

22 Oakwell Business Centre
Barnsley
South Yorkshire
S71 1HX
T: 01226 244200
E: enquiries@waterguard.co.uk

Any application, water leak detection and prevention.
To find your solution visit www.waterguard.co.uk.

All information provided, including installation is held to be reliable. Clients should however independently evaluate the suitability of each system to their individual application. Due to continual development specifications are subject to regular change without notice. Waterguard Services Limited make no claims, promises, or guarantees to the accuracy or completeness of, and expressly disclaims liability for any errors and omissions in, such materials. No warranty of any kind, implied, expressed, or statutory, including but not limited to the warranties included within Waterguard Services Limited Standard Terms and Conditions of Sale is given with respect to the content of these marketing materials. In no case will Waterguard Services Limited be liable for any incidental, indirect or consequential damages arising from the sale, resale, use or misuse of the product. ©2018 Waterguard Services Limited, All Rights Reserved.